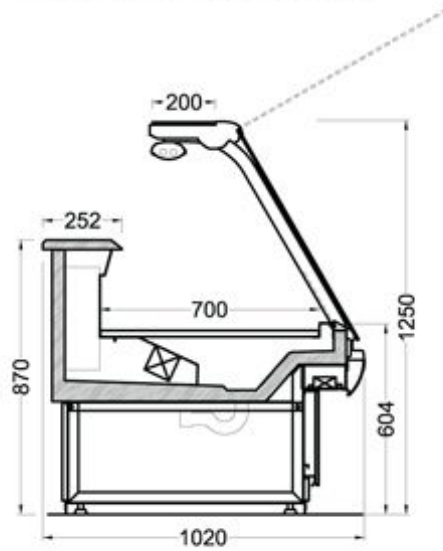


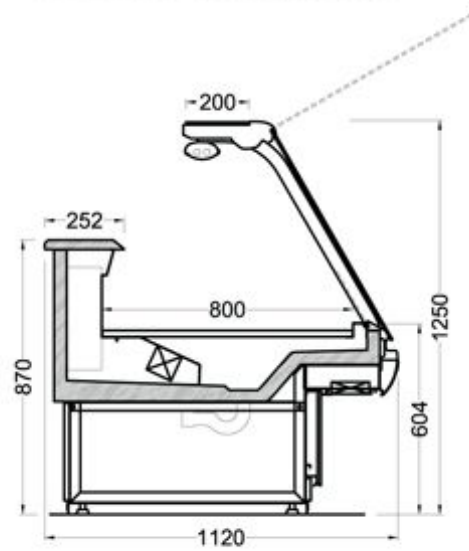
MARINA-Y-K COVERED BASE

Serve-Over Counter for Meat Sausages and Delicatessen

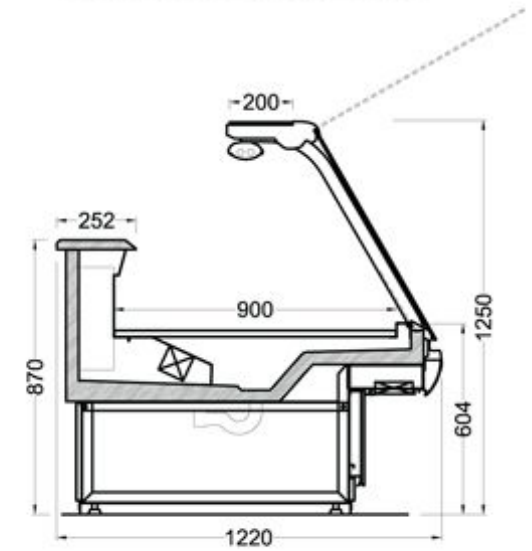
MARINA 102-Y-K COVERED BASE



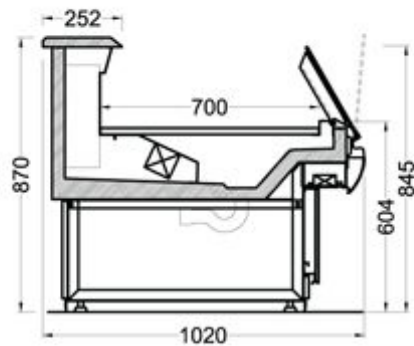
MARINA 112-Y-K COVERED BASE



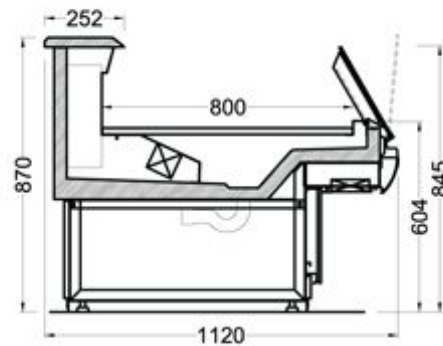
MARINA 122-Y-K COVERED BASE



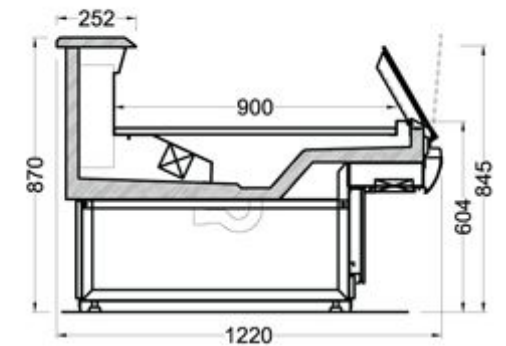
MARINA 102-Y-K-S COVERED BASE



MARINA 112-Y-K-S COVERED BASE



MARINA 122-Y-K-S COVERED BASE

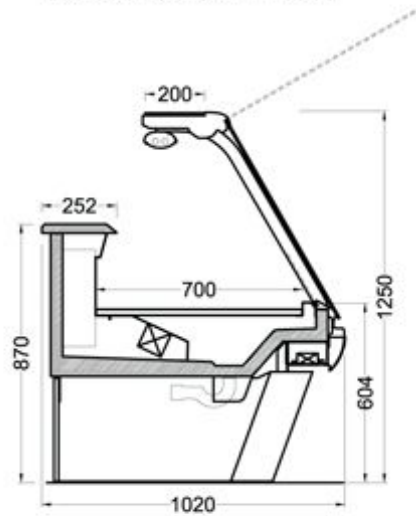


www.acmecoolant.com

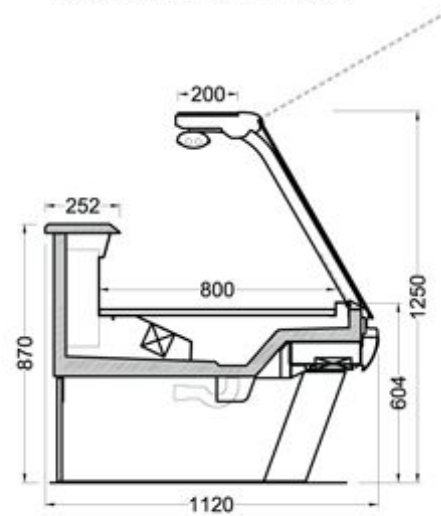
MARINA -Y-K WITH LEGS

Serve-Over Counter for Meat Sausages and Delicatessen

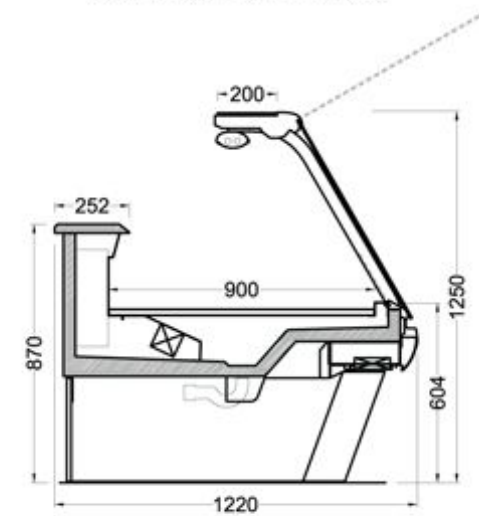
MARINA 102-Y-K WITH LEGS



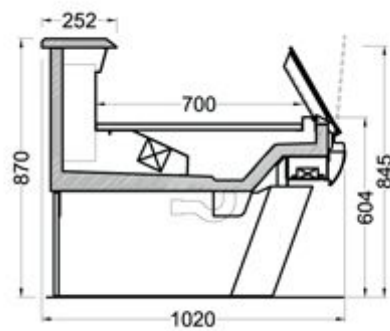
MARINA 112-Y-K WITH LEGS



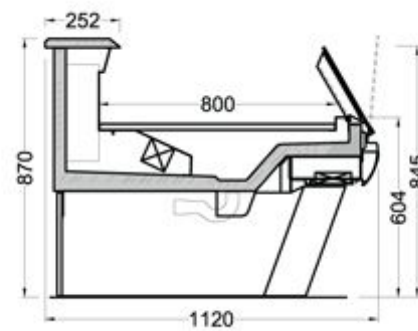
MARINA 122-Y-K WITH LEGS



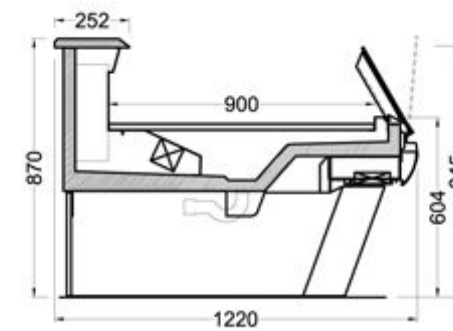
MARINA 102-Y-K-S WITH LEGS



MARINA 112-Y-K-S WITH LEGS



MARINA 122-Y-K-S WITH LEGS



www.acmecoolant.com